

# PS450 (B384)

This parts catalog is includes MB No. 1 to 2

## PS450 (B384)

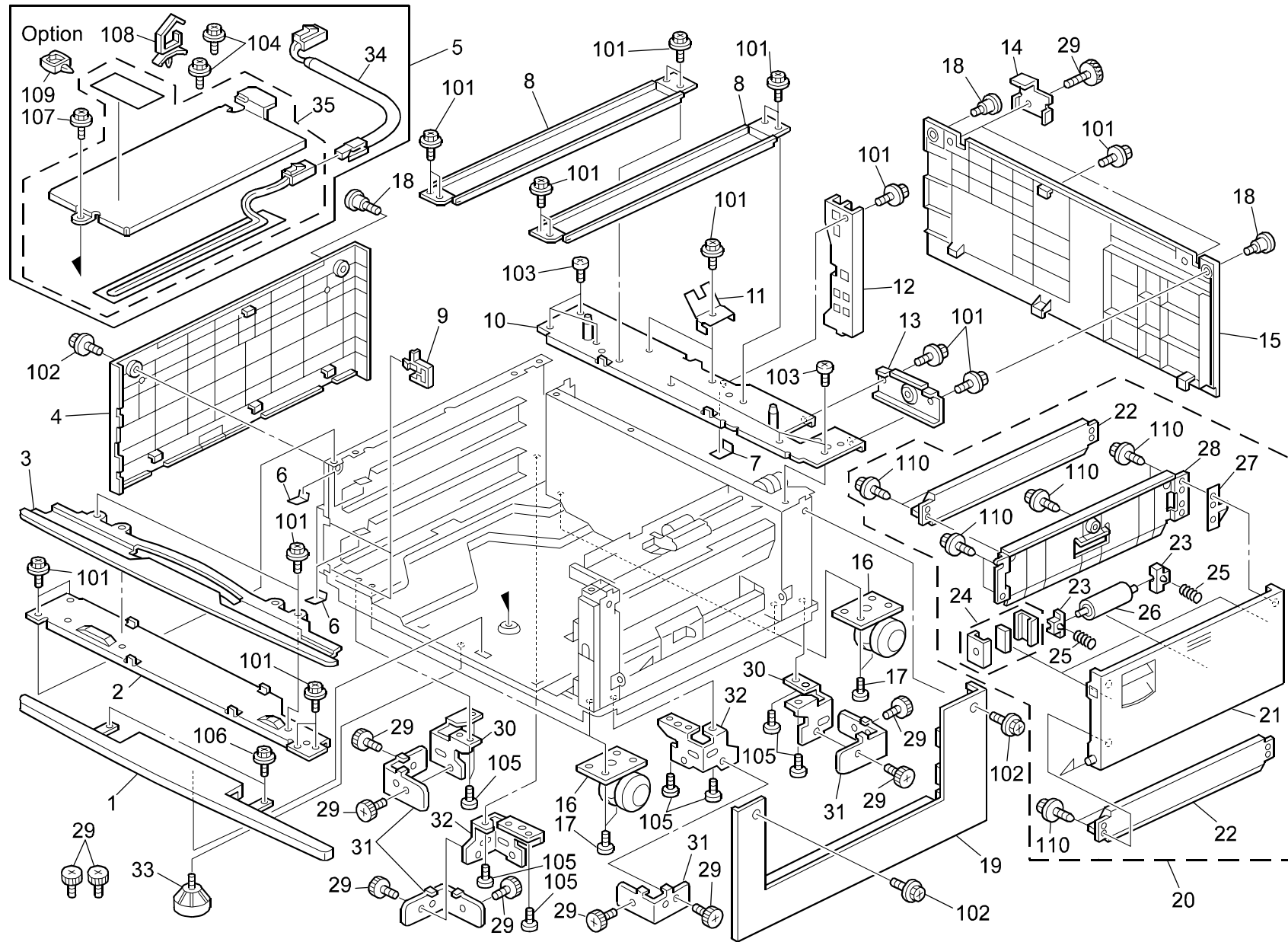
### PARTS CATALOG

This catalog gives the numbers and names of parts on this machine.

|                                    |           |
|------------------------------------|-----------|
| 1.EXTERIOR (B384).....             | 2         |
| 2.PAPER TRAY (B384) .....          | 4         |
| 3.PAPER FEED/TRANSFER (B384).....  | 6         |
| 4.ELECTRICAL SECTION 1 (B384)..... | 8         |
| 5.ELECTRICAL SECTION 2 (B384)..... | 10        |
| 6.ELECTRICAL SECTION 3 (B384)..... | 12        |
| 7.DECAL AND DOCUMENT (B384).....   | 14        |
| <b>PARTS INDEX.....</b>            | <b>17</b> |

October ,16 ' 2003

# 1.EXTERIOR (B384)

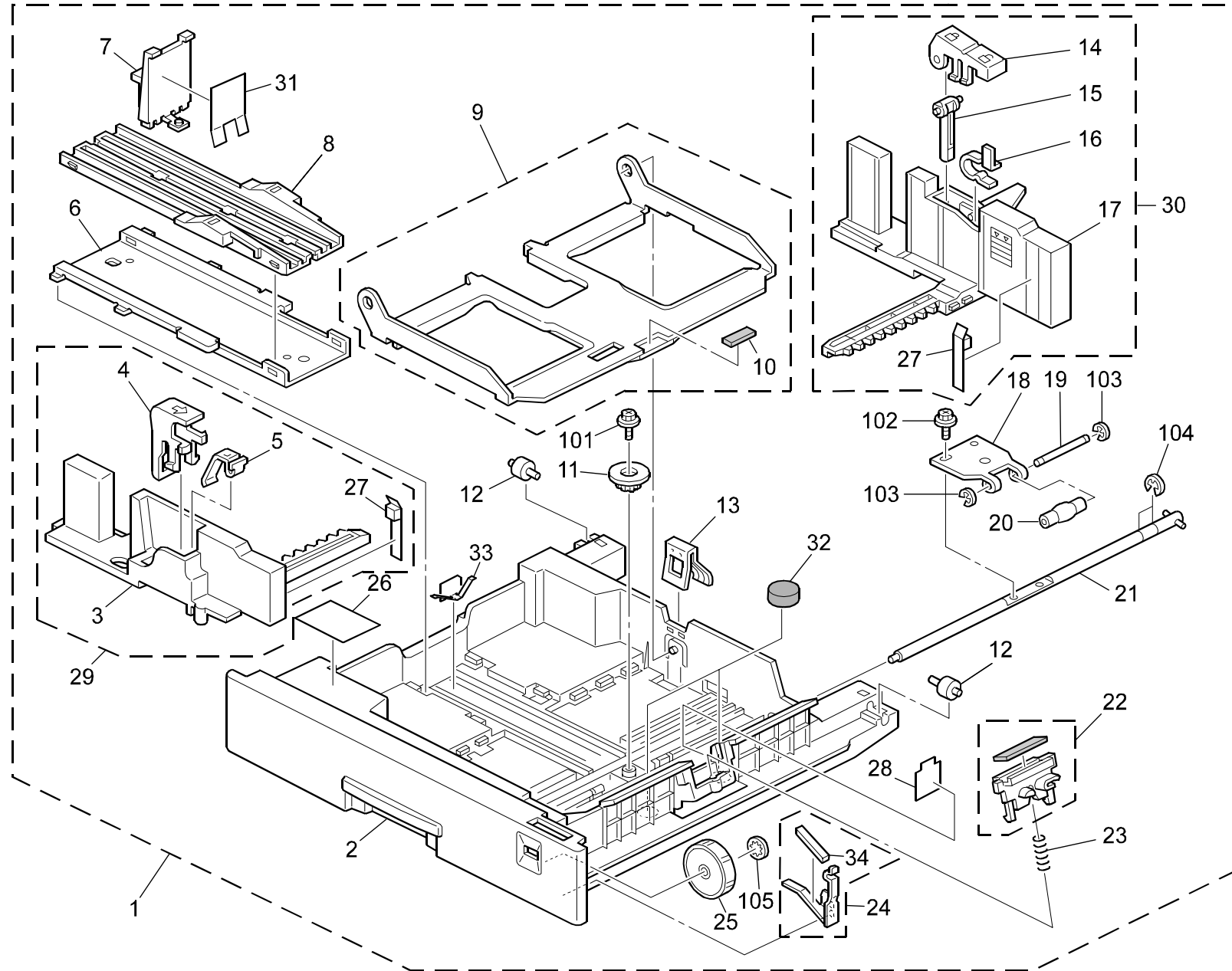


## 1.EXTERIOR (B384)

| Index No. | Part No.  | Description                       | Q'ty Per Assembly |
|-----------|-----------|-----------------------------------|-------------------|
| 1         | B384 1290 | Front Lower Cover                 | 1                 |
| 2         | B384 1110 | Upper Front Stay                  | 1                 |
| 3         | B384 1208 | Front Upper Cover                 | 1                 |
| 4         | B384 1250 | Left Cover                        | 1                 |
| 5         | B384 6300 | Tray Heater                       | 1                 |
| 6         | A860 1195 | Film - Guard                      | 2                 |
| 7         | A860 1197 | Film - Guard                      | 1                 |
| 8         | B384 1120 | Upper Left Stay                   | 2                 |
| 9         | A267 2589 | Seal - Supporter                  | 2                 |
| 10        | B384 1114 | Upper Rear Stay                   | 1                 |
| 11        | B384 1146 | Spring Plate                      | 2                 |
| 12        | B384 1170 | Harness Guide                     | 1                 |
| 13        | B384 1117 | Bracket - Upper Rear Stay         | 1                 |
| 14        | A860 6140 | Bracket - Joint                   | 2                 |
| 15        | B384 1270 | Rear Cover                        | 1                 |
| 16        | AH01 2026 | Caster                            | 4                 |
| 17        | A507 1096 | Philips Screw - M5x6              | 8                 |
| 18        | A193 1759 | Stepped Screw                     | 3                 |
| 19        | B384 1260 | Right Cover                       | 1                 |
| 20        | B384 2600 | Vertical Transport Cover Assembly | 1                 |
| 21        | B384 2610 | Vertical Transport Cover          | 1                 |
| 22        | A860 2620 | Guide Plate - Entrance            | 1                 |
| 23        | AA08 0249 | Bushing - Vertical Transport      | 2                 |
| 24        | AG07 0014 | Magnet Catch                      | 2                 |
| 25        | AA06 3334 | Spring - Vertical Transport       | 2                 |
| 26        | AF02 2118 | Pull Out Roller - Option Tray     | 1                 |
| 27        | A860 2626 | Spring Plate - Grounding          | 1                 |
| 28        | A860 2625 | Vertical Transfer Guide Plate     | 1                 |
| 29        | AA14 3508 | Flat Knob Screw - M4x10           | 12                |
| 30        | B384 6260 | Unit Holder Bracket - LF/RR       | 2                 |
| 31        | B384 6280 | Unit Holder                       | 4                 |
| 32        | B384 6270 | Unit Holder Bracket - RF/LR       | 2                 |
| 33        | A860 1125 | Adjusting Pin                     | 1                 |
| 34        | A860 5340 | AC Harness - Dehumidifire         | 1                 |
| 35        | B384 5520 | Tray Heater - 15W                 | 1                 |

| Index No. | Part No.   | Description                      | Q'ty Per Assembly |
|-----------|------------|----------------------------------|-------------------|
| 101       | 0451 3006B | Tapping Screw - M3x6             |                   |
| 102       | 0451 3008H | Tapping Screw - 3x8              |                   |
| 103       | 0453 3008B | Bind Tapping Screw - M3x8        |                   |
| 104       | 0594 0080Z | Bolt - M4x8                      |                   |
| 105       | 0314 0050B | Philips Pan Head Screw - M4x5    |                   |
| 106       | 0802 5276  | Tapping Screw With Washer - M3x6 |                   |
| 107       | 0950 3006B | Sem,s Screw - M3x6               |                   |
| 108       | 1105 0290  | Harness Clamp - HORIZONTAL       |                   |
| 109       | 1105 0310  | Harness Clamp - LWS-1S           |                   |
| 110       | 0450 3010B | Tapping Screw - M3x10            |                   |

## 2.PAPER TRAY (B384)

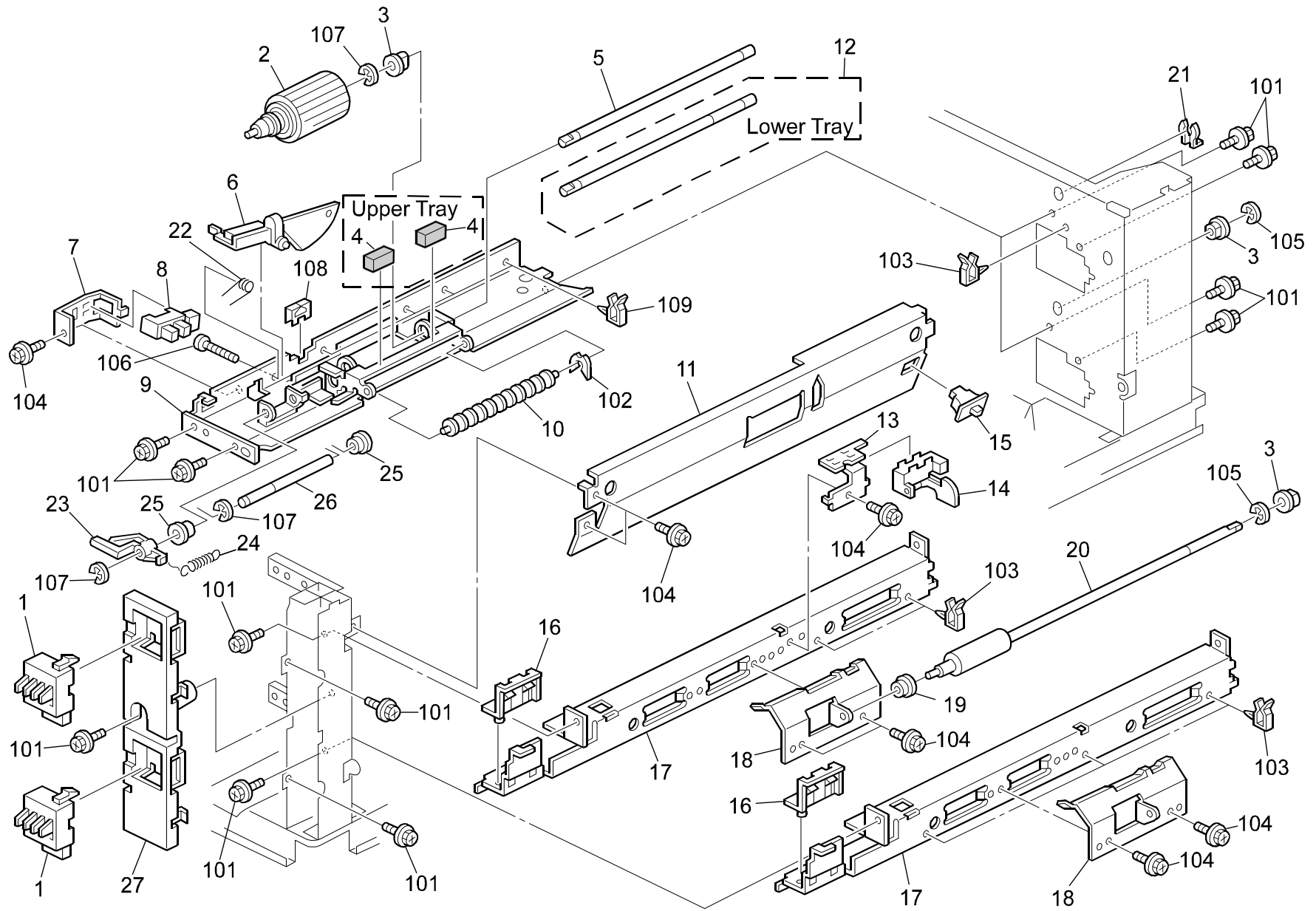


## 2.PAPER TRAY (B384)

| Index No. | Part No.         | Description                    | Q'ty Per Assembly |
|-----------|------------------|--------------------------------|-------------------|
| 1         | B384 7341        | Paper Tray Assembly            | 2                 |
| 2         | B024 2850        | Paper Tray                     | 1                 |
| 3         | B024 2851        | Front Side Fence               | 1                 |
| 4         | A267 2858        | Front Stopper Lever            | 1                 |
| 5         | G697 2677        | Spring Plate - Side Fence      | 1                 |
| 6         | B024 2874        | Lower Slider - End Fence       | 1                 |
| 7         | A267 2853        | End Fence                      | 1                 |
| 8         | B024 2866        | Upper Slider - End Fence       | 1                 |
| 9         | B024 2861        | Bottom Plate                   | 1                 |
| 10        | A267 2917        | Base Pad                       | 1                 |
| 11        | A267 2869        | Gear - 16Z                     | 1                 |
| 12        | A232 2987        | Roller - Paper Tray            | 2                 |
| 13        | A267 2878        | Spring Plate - Grounding       | 1                 |
| 14        | A267 2860        | Rear Lever Stopper             | 1                 |
| 15        | A267 2859        | Side Fence Stopper             | 1                 |
| 16        | A267 2857        | Spring Plate - Side Fence      | 1                 |
| 17        | B024 2852        | Rear Side Fence                | 1                 |
| 18        | B024 2856        | Lift Plate - Bottom Plate      | 1                 |
| 19        | A267 2865        | Shaft - Roller                 | 1                 |
| 20        | A267 2864        | Roller - Bracket               | 1                 |
| 21        | A267 2854        | Shaft - Tray Raising           | 1                 |
| 22        | <b>A860 2831</b> | <b>Friction Pad</b>            | <b>1</b>          |
| 23        | A267 2834        | Pressure Spring - Friction Pad | 1                 |
| 24        | A267 2870        | Spring Plate                   | 1                 |
| 25        | B024 7343        | Paper Size Detector            | 1                 |
| 26        | B027 2892        | Paper Set Decal                | 1                 |
| 27        | A267 2897        | Shield Side Fence              | 2                 |
| 28        | A267 2898        | Sheet Holder - Paper Tray      | 1                 |
| 29        | B024 2884        | Front Side Fence Assembly      | 1                 |
| 30        | B024 2885        | Rear Side Fence Assembly       | 1                 |
| 31        | A267 2900        | Seal - End Fence               | 1                 |
| 32        | A267 2899        | Sponge - Paper Feed Tray       | 2                 |
| 33        | A267 2875        | Spring Plate - Slider          | 1                 |
| 34        | A267 2918        | Sponge - Spring Plate          | 1                 |

| Index No. | Part No.   | Description         | Q'ty Per Assembly |
|-----------|------------|---------------------|-------------------|
| 101       | 0450 4008B | Tapping Screw - 4x8 |                   |
| 102       | 0354 0060B | Screw - M4X6        |                   |
| 103       | 0720 0030E | Retaining Ring - M3 |                   |
| 104       | 0720 0060E | Retaining Ring - M6 |                   |
| 105       | 0805 0083  | Retaining Ring - M4 |                   |

### 3.PAPER FEED/TRANSFER (B384)



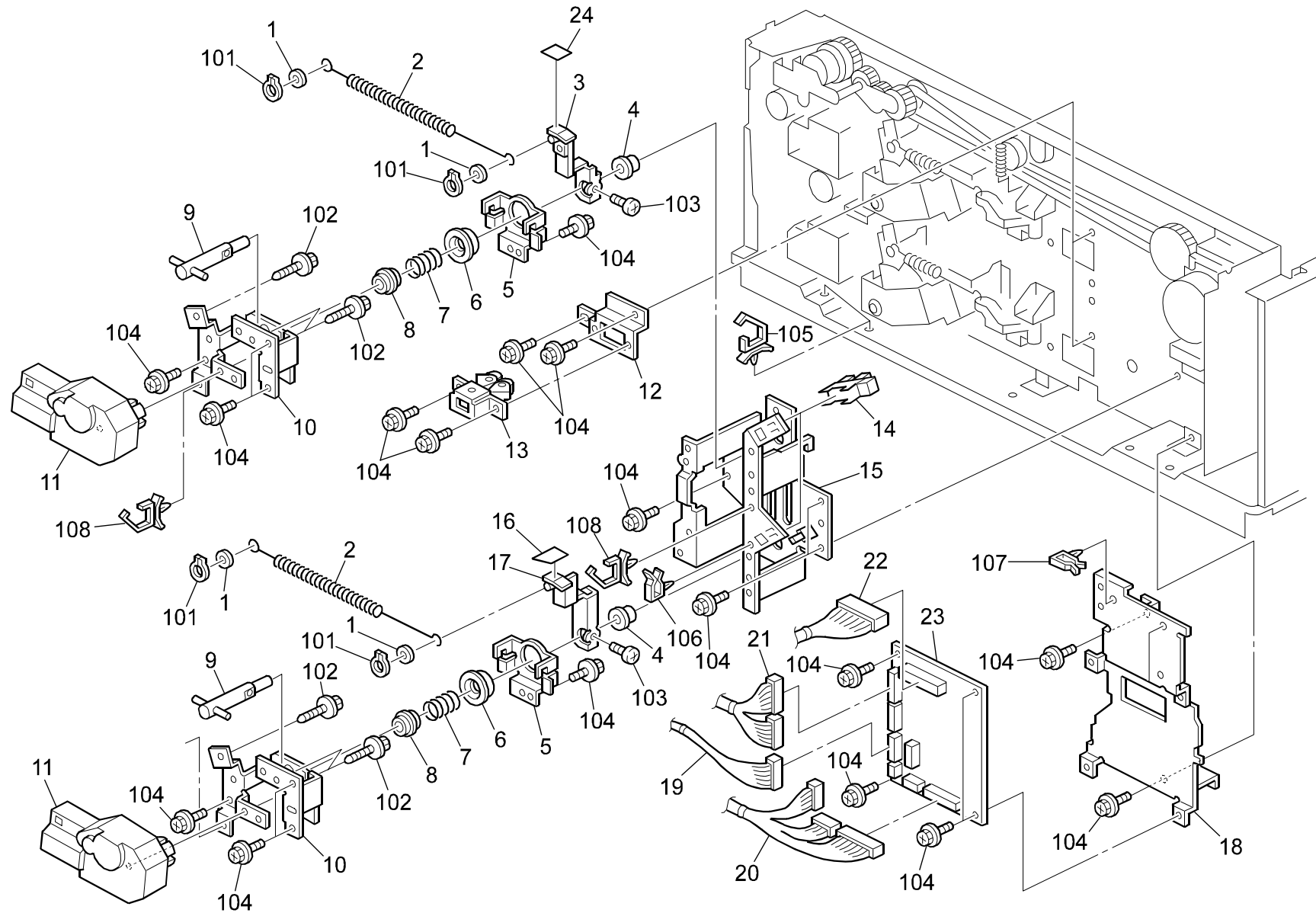
### 3.PAPER FEED/TRANSFER (B384)

| Index No. | Part No.         | Description                      | Q'ty Per Assembly |
|-----------|------------------|----------------------------------|-------------------|
| 1         | G020 2620        | Push Switch - Paper Size         | 2                 |
| 2         | <b>A267 2751</b> | <b>Paper Feed Roller</b>         | <b>2</b>          |
| 3         | 5053 0447        | Bushing - 6mm                    | 4                 |
| 4         | A860 2559        | Cushion Guide Plate              | 2                 |
| 5         | AA14 0713        | Shaft - Paper Feed Roller        | 1                 |
| 6         | A267 2803        | Feeler - Paper End Sensor        | 2                 |
| 7         | B024 2805        | Bracket - Paper End Sensor       | 2                 |
| 8         | AW02 0075        | Photointerruptor                 | 2                 |
| 9         | B384 2555        | Feed Roller Bracket              | 2                 |
| 10        | A860 2560        | Roller - Guide                   | 2                 |
| 11        | A860 2641        | Guide Plate - Vertical Transport | 1                 |
| 12        | AA14 0714        | Shaft - Paper Feed Roller 2      | 1                 |
| 13        | B024 2660        | Vertical Sensor Bracket          | 1                 |
| 14        | AW02 0111        | Photointerruptor                 | 1                 |
| 15        | G020 5626        | Push Switch                      | 1                 |
| 16        | A267 2588        | Shoe - Right Rail                | 2                 |
| 17        | B384 1090        | Right Guide Rail                 | 2                 |
| 18        | B024 2842        | Bracket - Friction Pad Guide     | 2                 |
| 19        | AA08 0252        | Bushing - M4                     | 1                 |
| 20        | AF02 0476        | Vertical Transport Roller        | 1                 |
| 21        | 5447 2681        | Snap Ring                        | 1                 |
| 22        | A860 2558        | Torsion Spring Lever             | 2                 |
| 23        | A267 2786        | Grip Shaft Lock                  | 2                 |
| 24        | A267 2787        | Tension Spring - Shaft Lock      | 2                 |
| 25        | A267 2847        | Bushing - Motor Shaft            | 4                 |
| 26        | A267 2785        | Lock Lever Shaft - Feed Roller   | 2                 |
| 27        | B384 2910        | Cover - Paper Size Switch        | 1                 |

| Index No. | Part No.   | Description                     | Q'ty Per Assembly |
|-----------|------------|---------------------------------|-------------------|
| 101       | 0802 5276  | Tapping Screw With Waser - M3x6 |                   |
| 102       | 0805 0092  | Retaining Ring - 3M             |                   |
| 103       | 1105 0267  | Harness Clamp - YMC-10-0        |                   |
| 104       | 0451 3006B | Tapping Screw - M3x6            |                   |
| 105       | 0720 0040E | Retaining Ring - M4             |                   |
| 106       | 0314 0140B | Philips Pan Head Screw - M4x14  |                   |
| 107       | 0720 0060E | Retaining Ring - M6             |                   |
| 108       | 1105 0328  | Harness Clamp - ES-0505         |                   |
| 109       | 1105 0283  | Clamp                           |                   |



# 4.ELECTRICAL SECTION 1 (B384)

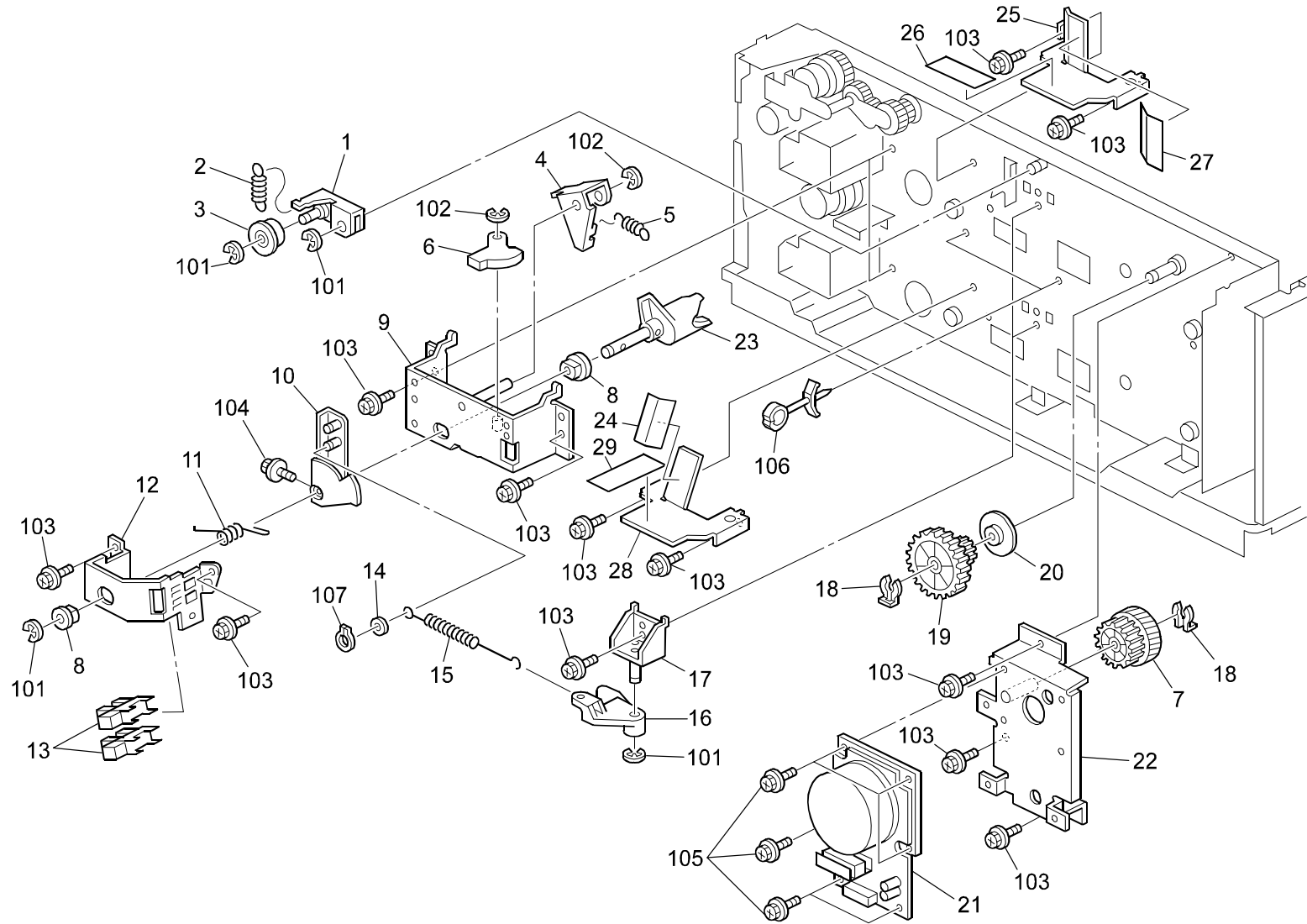


#### 4.ELECTRICAL SECTION 1 (B384)

| Index No. | Part No.  | Description                    | Q'ty Per Assembly |
|-----------|-----------|--------------------------------|-------------------|
| 1         | AA13 2207 | Spacer - M7                    | 4                 |
| 2         | A267 2771 | Tension Spring - Main          | 2                 |
| 3         | B384 2709 | Upper Lever - Lift Motor       | 1                 |
| 4         | A267 2847 | Bushing - Motor Shaft          | 2                 |
| 5         | B384 2728 | Spring Holder Bracket          | 2                 |
| 6         | A267 2846 | Holder - Spring                | 2                 |
| 7         | A267 2844 | Compression Spring - Return    | 2                 |
| 8         | A267 2845 | Bushing - DC Motor Shaft       | 2                 |
| 9         | A267 2840 | Shaft - DC Motor               | 2                 |
| 10        | B384 2726 | Lift Motor Bracket             | 2                 |
| 11        | AX04 0119 | DC Motor - 1.92W               | 2                 |
| 12        | B024 2908 | Tray Holder Bracket            | 2                 |
| 13        | G697 1082 | Tray Holder                    | 2                 |
| 14        | AW02 0075 | Photointerruptor               | 2                 |
| 15        | B384 2720 | Main Bracket - Lift Motor      | 1                 |
| 16        | A860 2715 | Shutter - Photointerruptor - 2 | 1                 |
| 17        | B384 2895 | Lower Lever - Lift Motor       | 1                 |
| 18        | B384 1161 | Interface Board Bracket        | 1                 |
| 19        | A860 5320 | DC Harness - Paper Size Sensor | 1                 |
| 20        | A860 5310 | DC Main Harness                | 1                 |
| 21        | A860 5350 | DC Harness - Motor             | 1                 |
| 22        | A860 5330 | DC Harness - Interface         | 1                 |
| 23        | A860 5110 | Interface Board                | 1                 |
| 24        | A860 2714 | Shutter - Photointerruptor     | 1                 |

| Index No. | Part No.   | Description                | Q'ty Per Assembly |
|-----------|------------|----------------------------|-------------------|
| 101       | 0727 0060B | Retaining Ring C - 6       |                   |
| 102       | 0450 4020B | Tapping Screw - 4x20       |                   |
| 103       | 0801 0150  | Philips Screw - M4x8       |                   |
| 104       | 0451 3006B | Tapping Screw - M3x6       |                   |
| 105       | 1105 0310  | Harness Clamp - LWS-1S     |                   |
| 106       | 1105 0290  | Harness Clamp - HORIZONTAL |                   |
| 107       | 1105 0267  | Harness Clamp - YMC-10-0   |                   |
| 108       | 1105 0413  | Harness Clamp              |                   |

# 5.ELECTRICAL SECTION 2 (B384)

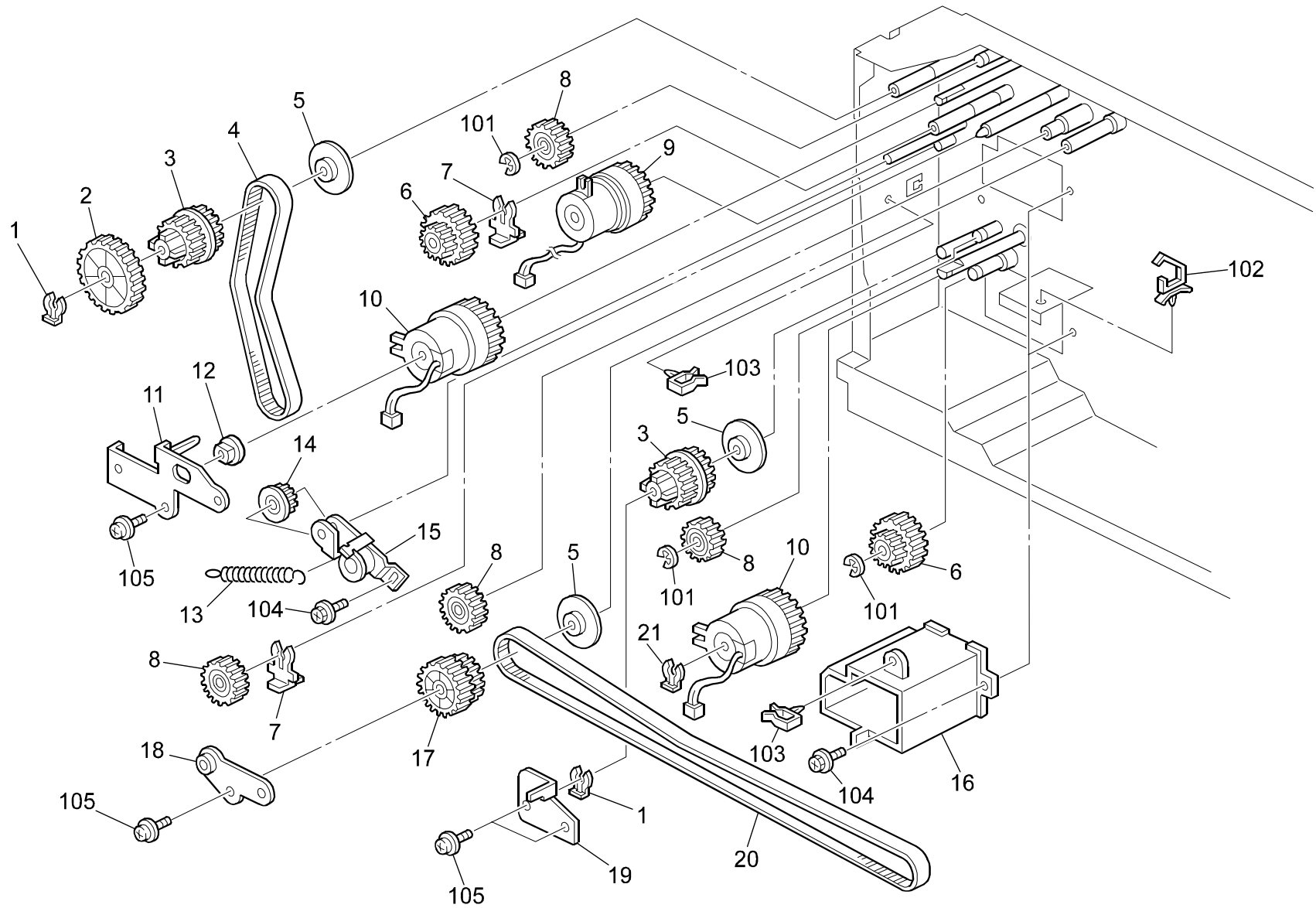


## 5.ELECTRICAL SECTION 2 (B384)

| Index No. | Part No.  | Description                    | Q'ty Per Assembly |
|-----------|-----------|--------------------------------|-------------------|
| 1         | B384 2821 | Timing Belt Tensioner          | 1                 |
| 2         | AA06 0821 | Tension Spring - Drive         | 1                 |
| 3         | AB03 0564 | Pulley - M17                   | 1                 |
| 4         | B024 2765 | Pressure Lever Stopper         | 2                 |
| 5         | A267 2766 | Tension Spring - Stopper       | 2                 |
| 6         | A267 2770 | Vibrating Plate                | 2                 |
| 7         | AB01 7506 | Gear - 59Z/33Z                 | 1                 |
| 8         | AA08 2070 | Bushing - 8x16x7               | 4                 |
| 9         | B024 2815 | Main Bracket - Pressure Lever  | 2                 |
| 10        | B384 2893 | Actuator - Paper Height Sensor | 2                 |
| 11        | A267 2767 | Torsion Spring - Joint         | 2                 |
| 12        | B024 2773 | Lift Sensor Bracket            | 2                 |
| 13        | AW02 0075 | Photointerruptor               | 4                 |
| 14        | AA13 2207 | Spacer - M7                    | 2                 |
| 15        | A267 2772 | Tension Spring - Sub           | 2                 |
| 16        | A267 2794 | Pressure Lever - Sub           | 2                 |
| 17        | B024 2781 | Pressure Lever Bracket         | 2                 |
| 18        | 5215 2621 | Snap Ring - M6                 | 2                 |
| 19        | AB03 0636 | Timing Pulley - Drive          | 1                 |
| 20        | AA13 2205 | Spacer - Timing Belt           | 1                 |
| 21        | AX05 0196 | DC Motor - 11.3W               | 1                 |
|           | AX06 0184 | O/O MB2                        |                   |
| 22        | B384 2810 | Main Motor Bracket             | 1                 |
| 23        | A267 2756 | Joint - Shaft                  | 2                 |
| 24        | A860 1199 | Film - Guard - 4               | 2                 |
| 25        | B384 1190 | Upper Spring Guard             | 1                 |
| 26        | A860 1196 | Film - Guard                   | 2                 |
| 27        | A860 1197 | Film - Guard                   | 2                 |
| 28        | B384 1191 | Lower Spring Guard             | 1                 |
| 29        | A860 1198 | Film - Guard - 3               | 1                 |

| Index No. | Part No.   | Description                     | Q'ty Per Assembly |
|-----------|------------|---------------------------------|-------------------|
| 101       | 0720 0060E | Retaining Ring - M6             |                   |
| 102       | 0720 0040E | Retaining Ring - M4             |                   |
| 103       | 0451 3006B | Tapping Screw - M3x6            |                   |
| 104       | 0801 0150  | Philips Screw - M4x8            |                   |
| 105       | 0451 3008B | Tapping Screw - M3x8            |                   |
| 106       | 1105 0462  | Harness Clamp                   |                   |
| 107       | 0727 0060B | Retaining Ring C - 6            |                   |
|           | 0623 0140E | Spring Pin - 3x14mm MB1 DELETED |                   |

## 6.ELECTRICAL SECTION 3 (B384)



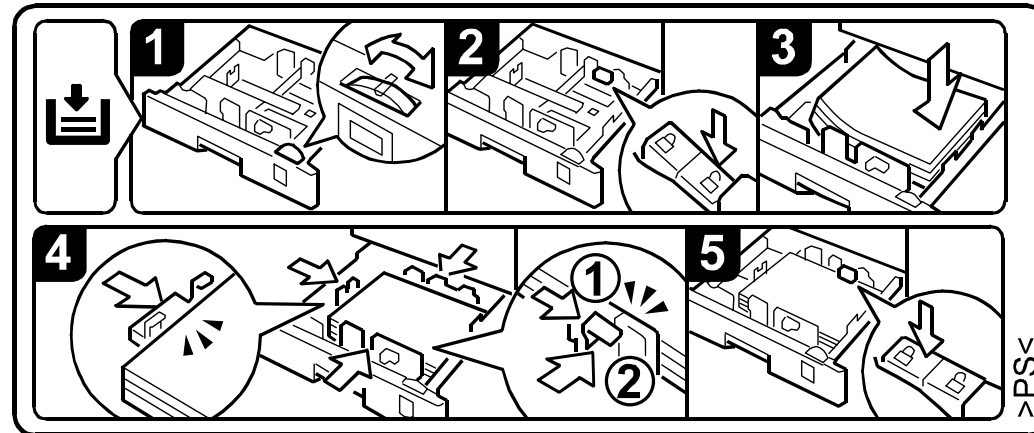
## 6.ELECTRICAL SECTION 3 (B384)

| Index No. | Part No.  | Description                  | Q'ty Per Assembly |
|-----------|-----------|------------------------------|-------------------|
| 1         | 5215 2621 | Snap Ring - M6               | 2                 |
| 2         | AB01 1410 | Gear - 44Z                   | 1                 |
| 3         | AB03 0637 | Timing Pulley - 24T/25Z      | 2                 |
| 4         | AA04 3530 | Timing Belt                  | 1                 |
| 5         | AA13 2205 | Spacer - Timing Belt         | 3                 |
| 6         | AB01 7507 | Gear - 30Z/24Z               | 2                 |
| 7         | A860 2830 | Stopper - M6                 | 2                 |
| 8         | AB01 1409 | Gear - 23Z                   | 4                 |
| 9         | AX20 0167 | Electromagnetic Clutch - 38Z | 1                 |
| 10        | AX20 0170 | Electromagnetic Clutch - 39Z | 2                 |
| 11        | B384 2840 | Bracket - Paper Feed Clutch  | 1                 |
| 12        | 5053 0447 | Bushing - 6mm                | 1                 |
| 13        | AA06 0799 | Tension Spring               | 1                 |
| 14        | AB03 0627 | Timing Pulley - 18T          | 1                 |
| 15        | B024 2602 | Timing Belt Tensioner        | 1                 |
| 16        | A267 2596 | Right Drive Guard            | 1                 |
| 17        | AB03 0635 | Timing Pulley - Paper Feed   | 1                 |
| 18        | B384 2860 | Upper Bracket - Paper Feed   | 1                 |
| 19        | B384 2850 | Lower Bracket - Paper Feed   | 1                 |
| 20        | AA04 3529 | Timing Belt - Drive          | 1                 |
| 21        | 5447 2681 | Snap Ring                    | 1                 |

| Index No. | Part No.   | Description                           | Q'ty Per Assembly |
|-----------|------------|---------------------------------------|-------------------|
| 101       | 0720 0060E | Retaining Ring - M6                   |                   |
| 102       | 1105 0310  | Harness Clamp - LWS-1S                |                   |
| 103       | 1105 0267  | Harness Clamp - YMC-10-0              |                   |
| 104       | 0451 3006B | Tapping Screw - M3x6                  |                   |
| 105       | 0951 3006B | Philips Screw With Flat Washer - M3x6 |                   |

## 7.DECAL AND DOCUMENT (B384)

1



### 7.DECAL AND DOCUMENT (B384)

| Index No. | Part No.  | Description     | Q'ty Per Assembly |
|-----------|-----------|-----------------|-------------------|
| 1         | B027 2892 | Paper Set Decal | 1                 |

| Index No. | Part No. | Description | Q'ty Per Assembly |
|-----------|----------|-------------|-------------------|
|-----------|----------|-------------|-------------------|



# Parts Index

## PM Parts Index

| Section Name               | Part No.  | Description in Service Manual | Description in Parts Catalog | Q'ty Per Assembly | Page and Index No. |
|----------------------------|-----------|-------------------------------|------------------------------|-------------------|--------------------|
| PAPER TRAY (B384)          | A860 2831 | Friction Pad                  | Friction Pad                 | 2                 | 5- 22              |
| PAPER FEED/TRANSFER (B384) | A267 2751 | Paper Feed Roller             | Paper Feed Roller            | 2                 | 7- 2               |

## Parts Index

| Part No.  | Description                       | Page and Index No. |
|-----------|-----------------------------------|--------------------|
| B384 1090 | Right Guide Rail                  | 7 - 17             |
| B384 1110 | Upper Front Stay                  | 3 - 2              |
| B384 1114 | Upper Rear Stay                   | 3 - 10             |
| B384 1117 | Bracket - Upper Rear Stay         | 3 - 13             |
| B384 1120 | Upper Left Stay                   | 3 - 8              |
| B384 1146 | Spring Plate                      | 3 - 11             |
| B384 1161 | Interface Board Bracket           | 9 - 18             |
| B384 1170 | Harness Guide                     | 3 - 12             |
| B384 1190 | Upper Spring Guard                | 11 - 25            |
| B384 1191 | Lower Spring Guard                | 11 - 28            |
| B384 1208 | Front Upper Cover                 | 3 - 3              |
| B384 1250 | Left Cover                        | 3 - 4              |
| B384 1260 | Right Cover                       | 3 - 19             |
| B384 1270 | Rear Cover                        | 3 - 15             |
| B384 1290 | Front Lower Cover                 | 3 - 1              |
| B384 2555 | Feed Roller Bracket               | 7 - 9              |
| B384 2600 | Vertical Transport Cover Assembly | 3 - 20             |
| B384 2610 | Vertical Transport Cover          | 3 - 21             |
| B384 2709 | Upper Lever - Lift Motor          | 9 - 3              |
| B384 2720 | Main Bracket - Lift Motor         | 9 - 15             |
| B384 2726 | Lift Motor Bracket                | 9 - 10             |
| B384 2728 | Spring Holder Bracket             | 9 - 5              |
| B384 2810 | Main Motor Bracket                | 11 - 22            |
| B384 2821 | Timing Belt Tensioner             | 11 - 1             |
| B384 2840 | Bracket - Paper Feed Clutch       | 13 - 11            |
| B384 2850 | Lower Bracket - Paper Feed        | 13 - 19            |
| B384 2860 | Upper Bracket - Paper Feed        | 13 - 18            |
| B384 2893 | Actuator - Paper Height Sensor    | 11 - 10            |
| B384 2895 | Lower Lever - Lift Motor          | 9 - 17             |
| B384 2910 | Cover - Paper Size Switch         | 7 - 27             |
| B384 5520 | Tray Heater - 15W                 | 3 - 35             |
| B384 6260 | Unit Holder Bracket - LF/RR       | 3 - 30             |
| B384 6270 | Unit Holder Bracket - RF/LR       | 3 - 32             |
| B384 6280 | Unit Holder                       | 3 - 31             |
| B384 6300 | Tray Heater                       | 3 - 5              |

| Part No.  | Description         | Page and Index No. |
|-----------|---------------------|--------------------|
| B384 7341 | Paper Tray Assembly | 5 - 1              |

| Part No.  | Description                    | Page and Index No. |
|-----------|--------------------------------|--------------------|
| A193 1759 | Stepped Screw                  | 3 - 18             |
| A232 2987 | Roller - Paper Tray            | 5 - 12             |
| A267 2588 | Shoe - Right Rail              | 7 - 16             |
| A267 2589 | Seal - Supporter               | 3 - 9              |
| A267 2596 | Right Drive Guard              | 13 - 16            |
| A267 2751 | Paper Feed Roller              | 7 - 2              |
| A267 2756 | Joint - Shaft                  | 11 - 23            |
| A267 2766 | Tension Spring - Stopper       | 11 - 5             |
| A267 2767 | Torsion Spring - Joint         | 11 - 11            |
| A267 2770 | Vibrating Plate                | 11 - 6             |
| A267 2771 | Tension Spring - Main          | 9 - 2              |
| A267 2772 | Tension Spring - Sub           | 11 - 15            |
| A267 2785 | Lock Lever Shaft - Feed Roller | 7 - 26             |
| A267 2786 | Grip Shaft Lock                | 7 - 23             |
| A267 2787 | Tension Spring - Shaft Lock    | 7 - 24             |
| A267 2794 | Pressure Lever - Sub           | 11 - 16            |
| A267 2803 | Feeler - Paper End Sensor      | 7 - 6              |
| A267 2834 | Pressure Spring - Friction Pad | 5 - 23             |
| A267 2840 | Shaft - DC Motor               | 9 - 9              |
| A267 2844 | Compression Spring - Return    | 9 - 7              |
| A267 2845 | Bushing - DC Motor Shaft       | 9 - 8              |
| A267 2846 | Holder - Spring                | 9 - 6              |
| A267 2847 | Bushing - Motor Shaft          | 9 - 4              |
| A267 2847 | Bushing - Motor Shaft          | 7 - 25             |
| A267 2853 | End Fence                      | 5 - 7              |
| A267 2854 | Shaft - Tray Raising           | 5 - 21             |
| A267 2857 | Spring Plate - Side Fence      | 5 - 16             |
| A267 2858 | Front Stopper Lever            | 5 - 4              |
| A267 2859 | Side Fence Stopper             | 5 - 15             |
| A267 2860 | Rear Lever Stopper             | 5 - 14             |
| A267 2864 | Roller - Bracket               | 5 - 20             |
| A267 2865 | Shaft - Roller                 | 5 - 19             |
| A267 2869 | Gear - 16Z                     | 5 - 11             |
| A267 2870 | Spring Plate                   | 5 - 24             |
| A267 2875 | Spring Plate - Slider          | 5 - 33             |

| Part No.  | Description                      | Page and Index No. |
|-----------|----------------------------------|--------------------|
| A267 2878 | Spring Plate - Grounding         | 5 - 13             |
| A267 2897 | Shield Side Fence                | 5 - 27             |
| A267 2898 | Sheet Holder - Paper Tray        | 5 - 28             |
| A267 2899 | Sponge - Paper Feed Tray         | 5 - 32             |
| A267 2900 | Seal - End Fence                 | 5 - 31             |
| A267 2917 | Base Pad                         | 5 - 10             |
| A267 2918 | Sponge - Spring Plate            | 5 - 34             |
| A507 1096 | Philips Screw - M5x6             | 3 - 17             |
| A860 1125 | Adjusting Pin                    | 3 - 33             |
| A860 1195 | Film - Guard                     | 3 - 6              |
| A860 1196 | Film - Guard                     | 11 - 26            |
| A860 1197 | Film - Guard                     | 11 - 27            |
| A860 1197 | Film - Guard                     | 3 - 7              |
| A860 1198 | Film - Guard - 3                 | 11 - 29            |
| A860 1199 | Film - Guard - 4                 | 11 - 24            |
| A860 2558 | Torsion Spring Lever             | 7 - 22             |
| A860 2559 | Cushion Guide Plate              | 7 - 4              |
| A860 2560 | Roller - Guide                   | 7 - 10             |
| A860 2620 | Guide Plate - Entrance           | 3 - 22             |
| A860 2625 | Vertical Transfer Guide Plate    | 3 - 28             |
| A860 2626 | Spring Plate - Grounding         | 3 - 27             |
| A860 2641 | Guide Plate - Vertical Transport | 7 - 11             |
| A860 2714 | Shutter - Photointerruptor       | 9 - 24             |
| A860 2715 | Shutter - Photointerruptor - 2   | 9 - 16             |
| A860 2830 | Stopper - M6                     | 13 - 7             |
| A860 2831 | Friction Pad                     | 5 - 22             |
| A860 5110 | Interface Board                  | 9 - 23             |
| A860 5310 | DC Main Harness                  | 9 - 20             |
| A860 5320 | DC Harness - Paper Size Sensor   | 9 - 19             |
| A860 5330 | DC Harness - Interface           | 9 - 22             |
| A860 5340 | AC Harness - Dehumidifire        | 3 - 34             |
| A860 5350 | DC Harness - Motor               | 9 - 21             |
| A860 6140 | Bracket - Joint                  | 3 - 14             |
| B024 2602 | Timing Belt Tensioner            | 13 - 15            |
| B024 2660 | Vertical Sensor Bracket          | 7 - 13             |

| Part No.  | Description                   | Page and Index No. |
|-----------|-------------------------------|--------------------|
| B024 2765 | Pressure Lever Stopper        | 11 - 4             |
| B024 2773 | Lift Sensor Bracket           | 11 - 12            |
| B024 2781 | Pressure Lever Bracket        | 11 - 17            |
| B024 2805 | Bracket - Paper End Sensor    | 7 - 7              |
| B024 2815 | Main Bracket - Pressure Lever | 11 - 9             |
| B024 2842 | Bracket - Friction Pad Guide  | 7 - 18             |
| B024 2850 | Paper Tray                    | 5 - 2              |
| B024 2851 | Front Side Fence              | 5 - 3              |
| B024 2852 | Rear Side Fence               | 5 - 17             |
| B024 2856 | Lift Plate - Bottom Plate     | 5 - 18             |
| B024 2861 | Bottom Plate                  | 5 - 9              |
| B024 2866 | Upper Slider - End Fence      | 5 - 8              |
| B024 2874 | Lower Slider - End Fence      | 5 - 6              |
| B024 2884 | Front Side Fence Assembly     | 5 - 29             |
| B024 2885 | Rear Side Fence Assembly      | 5 - 30             |
| B024 2908 | Tray Holder Bracket           | 9 - 12             |
| B024 7343 | Paper Size Detector           | 5 - 25             |
| B027 2892 | Paper Set Decal               | 15 - 1             |
| B027 2892 | Paper Set Decal               | 5 - 26             |
| G020 2620 | Push Switch - Paper Size      | 7 - 1              |
| G020 5626 | Push Switch                   | 7 - 15             |
| G697 1082 | Tray Holder                   | 9 - 13             |
| G697 2677 | Spring Plate - Side Fence     | 5 - 5              |

| Part No.  | Description                   | Page and Index No. |
|-----------|-------------------------------|--------------------|
| AA04 3529 | Timing Belt - Drive           | 13 - 20            |
| AA04 3530 | Timing Belt                   | 13 - 4             |
| AA06 0799 | Tension Spring                | 13 - 13            |
| AA06 0821 | Tension Spring - Drive        | 11 - 2             |
| AA06 3334 | Spring - Vertical Transport   | 3 - 25             |
| AA08 0249 | Bushing - Vertical Transport  | 3 - 23             |
| AA08 0252 | Bushing - M4                  | 7 - 19             |
| AA08 2070 | Bushing - 8x16x7              | 11 - 8             |
| AA13 2205 | Spacer - Timing Belt          | 13 - 5             |
| AA13 2205 | Spacer - Timing Belt          | 11 - 20            |
| AA13 2207 | Spacer - M7                   | 11 - 14            |
| AA13 2207 | Spacer - M7                   | 9 - 1              |
| AA14 0713 | Shaft - Paper Feed Roller     | 7 - 5              |
| AA14 0714 | Shaft - Paper Feed Roller 2   | 7 - 12             |
| AA14 3508 | Flat Knob Screw - M4x10       | 3 - 29             |
| AB01 1409 | Gear - 23Z                    | 13 - 8             |
| AB01 1410 | Gear - 44Z                    | 13 - 2             |
| AB01 7506 | Gear - 59Z/33Z                | 11 - 7             |
| AB01 7507 | Gear - 30Z/24Z                | 13 - 6             |
| AB03 0564 | Pulley - M17                  | 11 - 3             |
| AB03 0627 | Timing Pulley - 18T           | 13 - 14            |
| AB03 0635 | Timing Pulley - Paper Feed    | 13 - 17            |
| AB03 0636 | Timing Pulley - Drive         | 11 - 19            |
| AB03 0637 | Timing Pulley - 24T/25Z       | 13 - 3             |
| AF02 0476 | Vertical Transport Roller     | 7 - 20             |
| AF02 2118 | Pull Out Roller - Option Tray | 3 - 26             |
| AG07 0014 | Magnet Catch                  | 3 - 24             |
| AH01 2026 | Caster                        | 3 - 16             |
| AW02 0075 | Photointerruptor              | 7 - 8              |
| AW02 0075 | Photointerruptor              | 11 - 13            |
| AW02 0075 | Photointerruptor              | 9 - 14             |
| AW02 0111 | Photointerruptor              | 7 - 14             |
| AX04 0119 | DC Motor - 1.92W              | 9 - 11             |
| AX05 0196 | DC Motor - 11.3W              | 11 - 21            |
| AX06 0184 | O/O MB1                       | 11 - 21            |

| Part No.  | Description                  | Page and Index No. |
|-----------|------------------------------|--------------------|
| AX20 0167 | Electromagnetic Clutch - 38Z | 13 - 9             |
| AX20 0170 | Electromagnetic Clutch - 39Z | 13 - 10            |

| Part No.   | Description                           | Page and Index No. |
|------------|---------------------------------------|--------------------|
| 0314 0050B | Philips Pan Head Screw - M4x5         | 3 - 105            |
| 0314 0140B | Philips Pan Head Screw - M4x14        | 7 - 106            |
| 0354 0060B | Screw - M4X6                          | 5 - 102            |
| 0450 3010B | Tapping Screw - M3x10                 | 3 - 110            |
| 0450 4008B | Tapping Screw - 4x8                   | 5 - 101            |
| 0450 4020B | Tapping Screw - 4x20                  | 9 - 102            |
| 0451 3006B | Tapping Screw - M3x6                  | 11 - 103           |
| 0451 3006B | Tapping Screw - M3x6                  | 13 - 104           |
| 0451 3006B | Tapping Screw - M3x6                  | 9 - 104            |
| 0451 3006B | Tapping Screw - M3x6                  | 3 - 101            |
| 0451 3006B | Tapping Screw - M3x6                  | 7 - 104            |
| 0451 3008B | Tapping Screw - M3x8                  | 11 - 105           |
| 0451 3008H | Tapping Screw - 3x8                   | 3 - 102            |
| 0453 3008B | Bind Tapping Screw - M3x8             | 3 - 103            |
| 0594 0080Z | Bolt - M4x8                           | 3 - 104            |
| 0623 0140E | Spring Pin - 3x14mm MB1 DELETED       | 11 - 108           |
| 0720 0030E | Retaining Ring - M3                   | 5 - 103            |
| 0720 0040E | Retaining Ring - M4                   | 11 - 102           |
| 0720 0040E | Retaining Ring - M4                   | 7 - 105            |
| 0720 0060E | Retaining Ring - M6                   | 7 - 107            |
| 0720 0060E | Retaining Ring - M6                   | 11 - 101           |
| 0720 0060E | Retaining Ring - M6                   | 5 - 104            |
| 0720 0060E | Retaining Ring - M6                   | 13 - 101           |
| 0727 0060B | Retaining Ring C - 6                  | 11 - 107           |
| 0727 0060B | Retaining Ring C - 6                  | 9 - 101            |
| 0801 0150  | Philips Screw - M4x8                  | 9 - 103            |
| 0801 0150  | Philips Screw - M4x8                  | 11 - 104           |
| 0802 5276  | Tapping Screw With Washer - M3x6      | 3 - 106            |
| 0802 5276  | Tapping Screw With Waser - M3x6       | 7 - 101            |
| 0805 0083  | Retaining Ring - M4                   | 5 - 105            |
| 0805 0092  | Retaining Ring - 3M                   | 7 - 102            |
| 0950 3006B | Sem,s Screw - M3x6                    | 3 - 107            |
| 0951 3006B | Philips Screw With Flat Washer - M3x6 | 13 - 105           |
| 1105 0267  | Harness Clamp - YMC-10-0              | 9 - 107            |
| 1105 0267  | Harness Clamp - YMC-10-0              | 7 - 103            |

| Part No.  | Description                | Page and Index No. |
|-----------|----------------------------|--------------------|
| 1105 0267 | Harness Clamp - YMC-10-0   | 13 - 103           |
| 1105 0283 | Clamp                      | 7 - 109            |
| 1105 0290 | Harness Clamp - HORIZONTAL | 9 - 106            |
| 1105 0290 | Harness Clamp - HORIZONTAL | 3 - 108            |
| 1105 0310 | Harness Clamp - LWS-1S     | 9 - 105            |
| 1105 0310 | Harness Clamp - LWS-1S     | 3 - 109            |
| 1105 0310 | Harness Clamp - LWS-1S     | 13 - 102           |
| 1105 0328 | Harness Clamp - ES-0505    | 7 - 108            |
| 1105 0413 | Harness Clamp              | 9 - 108            |
| 1105 0462 | Harness Clamp              | 11 - 106           |

| Part No.  | Description    | Page and Index No. |
|-----------|----------------|--------------------|
| 5053 0447 | Bushing - 6mm  | 7 - 3              |
| 5053 0447 | Bushing - 6mm  | 13 - 12            |
| 5215 2621 | Snap Ring - M6 | 11 - 18            |
| 5215 2621 | Snap Ring - M6 | 13 - 1             |
| 5447 2681 | Snap Ring      | 7 - 21             |
| 5447 2681 | Snap Ring      | 13 - 21            |